

-90 -80 -70 -60 -50 -40 -30 -20 -10

-10

-20

## Voltage Regulators DC-5 to DC-24

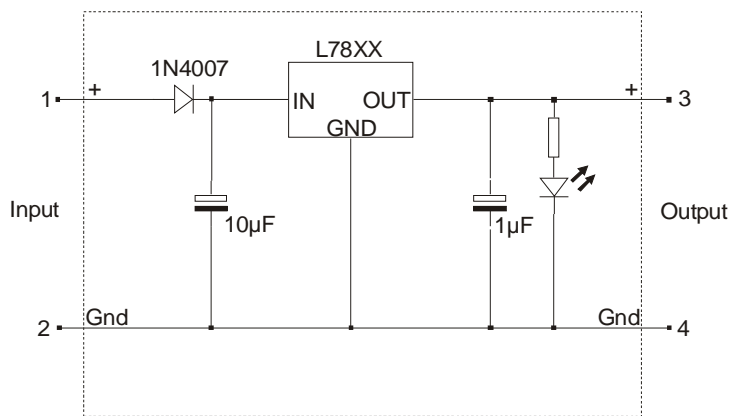




## 1 General remarks

The voltage regulating module contains a longitudinal regulator type L78XX, which is wired with a diode, two electrolytic capacitors and a green operation LED. The device is available in various versions for voltages between 5 V and 24 V.

## 2 Connections



## 3 Note

The heat sink of the longitudinal regulator discharge a capacity of approx. 1,5 VA. This capacity may be increased by removing the transparent lid (improved air circulation).

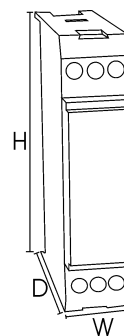
## 4 Technical data



**Mounting and first commissioning only by qualified personnel.**  
**Electrical connection in accordance to VDE 0160.**

<b>Input voltage <math>U_E</math></b>	max. 34 V, but at least nominal – output voltage + 2 V
<b>Output voltage <math>U_A</math></b> other voltages on request	DC-5: 5 V / approx. 50mA at $U_E = 34$ V DC-10: 10 V / approx. 70mA at $U_E = 34$ V DC-12: 12 V / approx. 80mA at $U_E = 34$ V DC-24: 24 V / approx. 150mA at $U_E = 34$ V
<b>Power dissipation</b>	max. 1,5 W at regulator higher capacities on request
<b>Ambient temperature</b>	-20 ... +55 °C
<b>Housing</b>	W / H / D : 17,5 x 79 x 52,5 mm (35 mm standard bar)

<b>calculation example:</b>	$U_E = 24$ V,	$U_A = 12$ V
	max. power dissipation:	1,5 W
	max. output current:	$\frac{1,5 \text{ W}}{24 \text{ V} - 12 \text{ V}} = \underline{125 \text{ mA}}$



### 4.1 Ordering information

Voltage Regulators DC-5 to DC-24	Part number
DC-5 – 5 V $U_A$ :	E1723
DC-10 – 10 V $U_A$ :	E1229
DC-15 – 15 V $U_A$ :	E1232
DC-24 – 24 V $U_A$ :	E1228