

-90 -80 -70 -60 -50 -40 -30 -20 -10

-10

-20

Level Control Relay NSR-25





1 General remarks

The level control relay NSC-25 features a fluid level control with two neutral change-over contacts as switching output. The control system is designed for conductive electrodes in differential circuits.



The response sensitivity can be attuned to the conductivity of the switching medium by adjusting the potentiometer:

- High sensitivity -> low conductance - high resistance.
- Low sensitivity -> high conductance - low resistance.

By ex-works settings, the device is set to medium sensitivity. To avoid contact bounce, the relay is delayed for approx. 1 second.

2 Principle of function

When the liquid level reaches the electrode, which is connected to terminal 12, the relay K1 picks up and the relay – LED (yellow) lights up. Primal when the liquid level falls below the electrode, connected to terminal 11, the relay releases again.

By aid of the sliding switch, positioned below the front lid, the switching logic can be inverted. That means: on reaching electrode at terminal 12, the relay releases, and if the liquid does not moisten the electrode connected to terminal 11, the relay picks up.

some possible applications:

- filling up, emptying
- dry running, overflow
- minimum or maximum indication

The green light emitting diode signals readiness for operation, the yellow one is lighted whenever the relay has picked up.

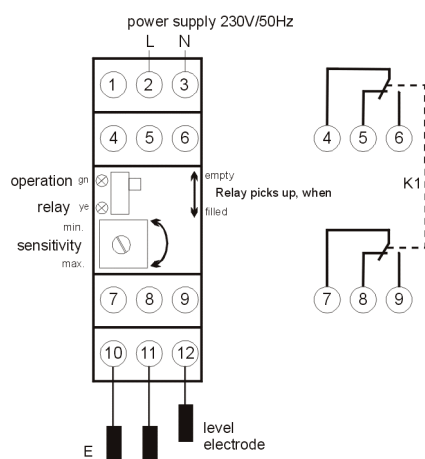
3 Note

Electrode connection lines longer than 25 meters should be mounted as a shielded cable in any case, even though under trouble-free conditions cable lengths up to 100 m are achievable. Measurement sensor cables must always be mounted separately from power cables.

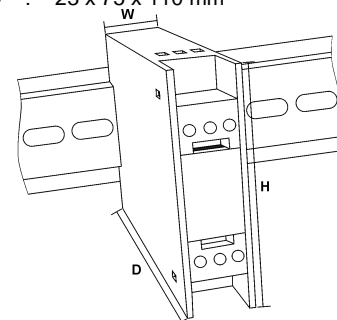
4 Technical data



Mounting and first commissioning only by qualified personnel.
Electrical connection in accordance to VDE 0160



Operating voltage	180 ... 240 V
Power consumption	approx. 1 VA
Response sensitivity	12 kOhm ... 200 kOhm starting from 1,5 kOhm for the version U
Relay outputs	230 V / 5 A / AC
Ambient temperature	-20 ... +55 °C
Housing dimensions	W / H / D : 23 x 75 x 110 mm



4.1 Ordering information

Level Control Relay NSR-25.2

Part number:

E1739

10