

-90 -80 -70 -60 -50 -40 -30 -20 -10

-10

-20

DC/DC-Transformer DCDC-XX/Y





1 General remarks

DC / DC – transformers with galvanic isolation are used for power supply of measurement and switching devices, in cases where they shall be connected to other components on different potentials. Even ground loops can eventually be eliminated by galvanic decoupling. The DC / DC – transformer DCDC-XX/Y contains a DC / DC converter with electrical separation. The device is available for different capacities and voltages.

- **Standard versions:**

Type	Input voltages	Output voltages XX	Output capacity Y
DCDC-XX/Y	18 ... 34 V DC	5V, 12V, 15V, +/- 12V, +/-15V	3W

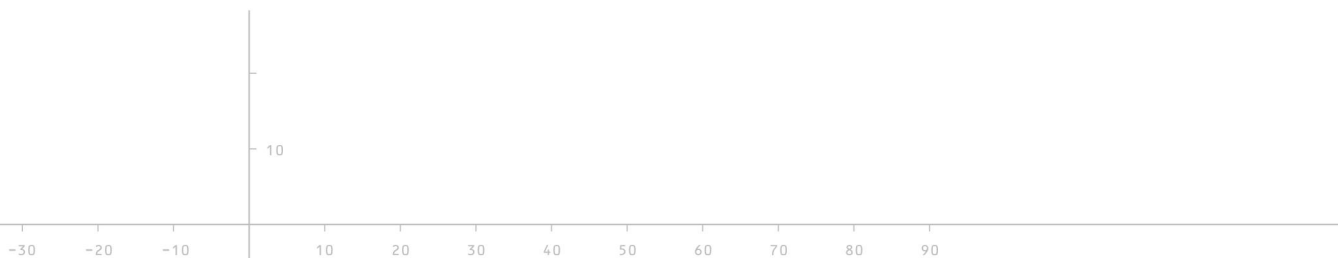
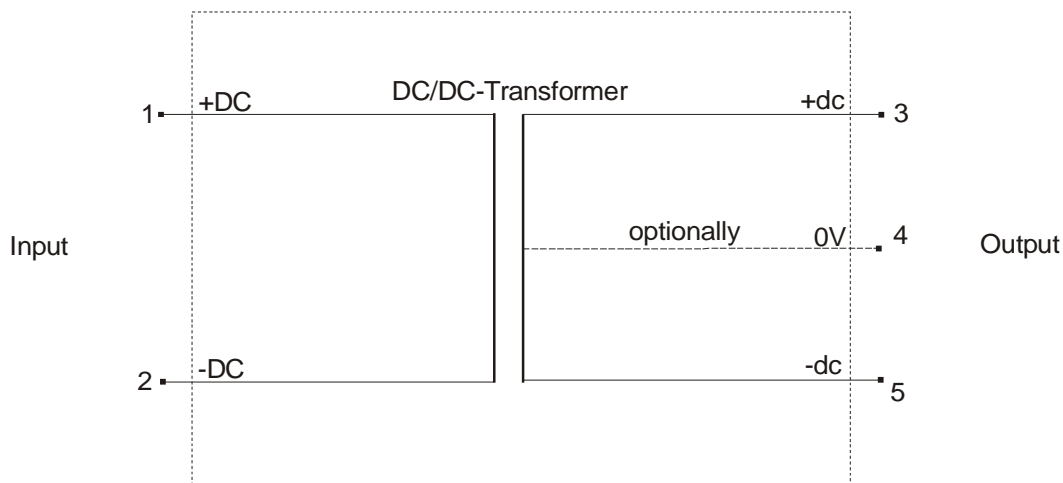
- **Special versions:**

Type	Input voltages	Output voltages XX	Output capacity Y
DCDC-XX/Y	9 ... 18 V DC	5V, 12V, 15V, +/- 12V, +/-15V	3W
DCDC-XX/Y	36 ... 72 V DC	5V, 12V, 15V, +/- 12V, +/-15V	3W



Other types on request!

2 Connections

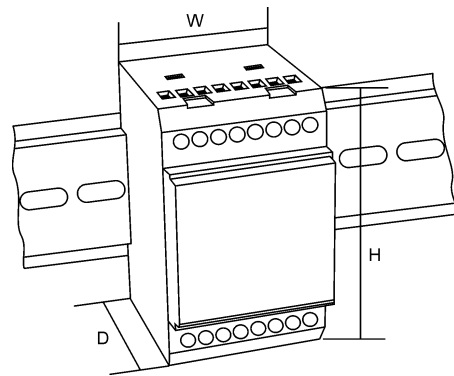


3 Technical data



**Mounting and first commissioning only by qualified personnel.
Electrical connection in accordance to VDE 0160.
This device may only be used for the describe applications.**

Input voltage	9 ... 34 V (others on request)
Output voltage	5, 12, 15, +/- 12, +/- 15 V
Output capacity	3 W (others on request)
Ambient conditions	-20 ... +55 °C, 20 ... 90% humidity (without thawing)
housing	W / H / D : 45 x 78 x 52 mm (35mm standard bar)



3.1 Ordering information

DC/DC – Transformer DCDC-XX/Y	Part number
DCDC-5 / 3 :	E2037
DCDC-12 / 3 :	E2051
DCDC-24 / 3 :	E1724
DCDC-24 / 5 :	E1738
DCDC-30 / 3 :	E2050

