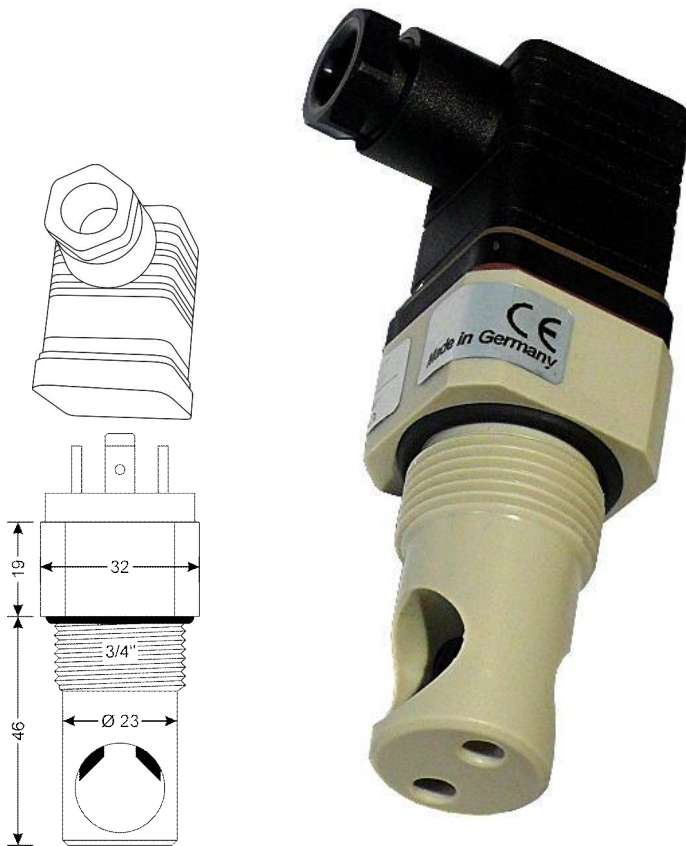


-90 -80 -70 -60 -50 -40 -30 -20 -10

-10

-20

Conductance Probe LWS-1



Technical Data

Electrode Material
Electro-graphite / Titan

Probe Factor / Measuring Range
K = 1 / 0 ... 20 mS/cm

Accuracy
+/- 3,0 %

Temperature Compensation
via Pt100 (*not with E1930*)

Cell Housing Material
PP
PVDF *

Temperature resistant to max.
70 °C
120 °C *

Pressure-resistant to, at max.
16 bar, 50 °C
16 bar, 100 °C *

Connector / Protection Type
4-pol. angled plug / IP65

Pin Assignment
Electrodes: 2 + SL
Pt100: 1 + 3 (*not with E1930*)

Dimensions
3/4" screw-in thread,
widths across flats: 32 mm;
further dimensions see figure left

Climatic Conditions
acc. to DIN EN 60204-1 (05-2010)

Ambient Temperature
Operation: +0 ... +70 °C
Transport / Storage: -25 ... +70 °C

* LWS-1 with extended temperature range up to 120 °C (E1931)

Ordering Info:

LWS-1 PP:	E1930
LWS-1 Pt (with Pt100):	E1929
LWS-1 PV Pt (with Pt100):	E1931

The LWS-1 Conductance Probe is a 2-electrodes conductivity measuring cell. It is available in three variants: without – and with temperature compensation by means of Pt100 temperature measurement, as well as for an extended temperature range up to 120 °C (see Technical Data / Ordering Information).